



EU DECLARATION OF CONFORMITY  
DECLARACIÓN UE DE CONFORMIDAD

**3EBasor**

CABLE TRAY SPECIALIST

www.basor.com



Certificado Nº SGI 3198065/11



Certificado Nº SGI 3198065/12

The company / *La Empresa:*

**BASOR ELECTRIC, S.A.**

Address / *Dirección:*

Av. Alcodar, 45-47, 46700. Gandía (VLC), Spain.

Declares that the product:

*Declara que el producto:*

**BASORTRAY MRE**

Installed in accordance to the installation standards, manufacturer's instructions and professional rules, duly maintained and used for the applications as intended.

*Instalado de acuerdo con las normas de instalación, instrucciones del fabricante y conforme a las reglas profesionales, debidamente mantenido y utilizado en las aplicaciones para las que está previsto.*

Complies with the essential requirements of the Council Directives:

*Cumple con los requisitos esenciales de las Directivas del Consejo:*

**2014/35/UE (Low Voltage Directive) / (Directiva de Baja Tensión)**

Incorporated in the Spanish Legislation in: R.D. 187/2016.

*Incorporado en la Legislación Española en: R.D. 187/2016.*

And it is suitable and safe for the intended use and it is in conformity with the following standard:

*Es adecuado y seguro para el uso a que está destinado y es conforme con la siguiente norma:*

**UNE EN 61537**

Additional information:

*Información adicional:*

This product is intended to be installed and maintained by skilled persons, it may be used by ordinary persons only as a replacement part, to substitute for an identical device.

*Este producto está previsto para ser instalado y mantenido por un profesional, puede ser usado por una persona no formada para reemplazamiento de uno idéntico.*

Place and date:

*Lugar y fecha:*

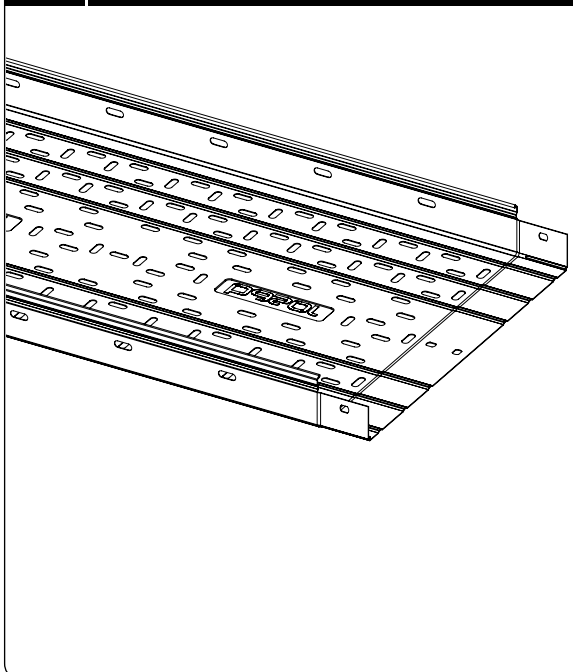
Gandía April 2016

*Gandía Abril 2016*

Technical department / *Departamento Técnico*



**MRE**



**Models (BxH):**

100x60; 150x60; 200x60; 300x60; 400x60; 500x60; 600x60; 100x80; 150x80; 200x80; 300x80; 400x80; 500x80; 600x80; 100x100; 150x100; 200x100; 300x100; 400x100; 500x100; 600x100.

Finishes: PG; HDG

**Characteristics of the cable tray:**

- Metallic
- Non-flame propagating component
- System with electrical continuity
- Electrically conductive component
- Minimum temperature of -50 °C
- Maximum temperature of 150 °C
- With metallic coating, resistance to corrosion:  
PG coating: class 3  
HDG coating: class 5
- Impact strength: 20J



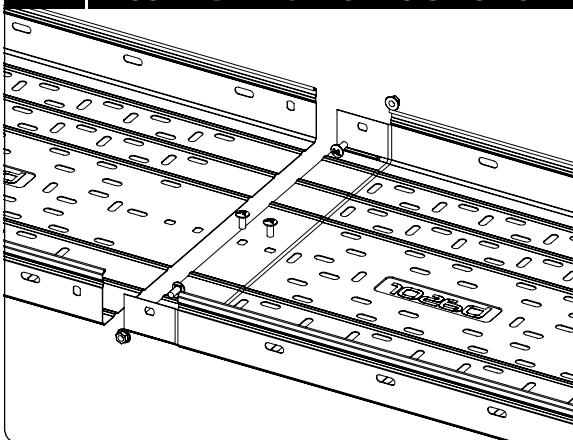
- Classification acc. to the free base area:

Non-drilled tray: A

Drilled tray:

Base Models	Classification
100	C
150	B
200	C
300	C
400	C
500	C
600	C

**ASSEMBLING INSTRUCTIONS**

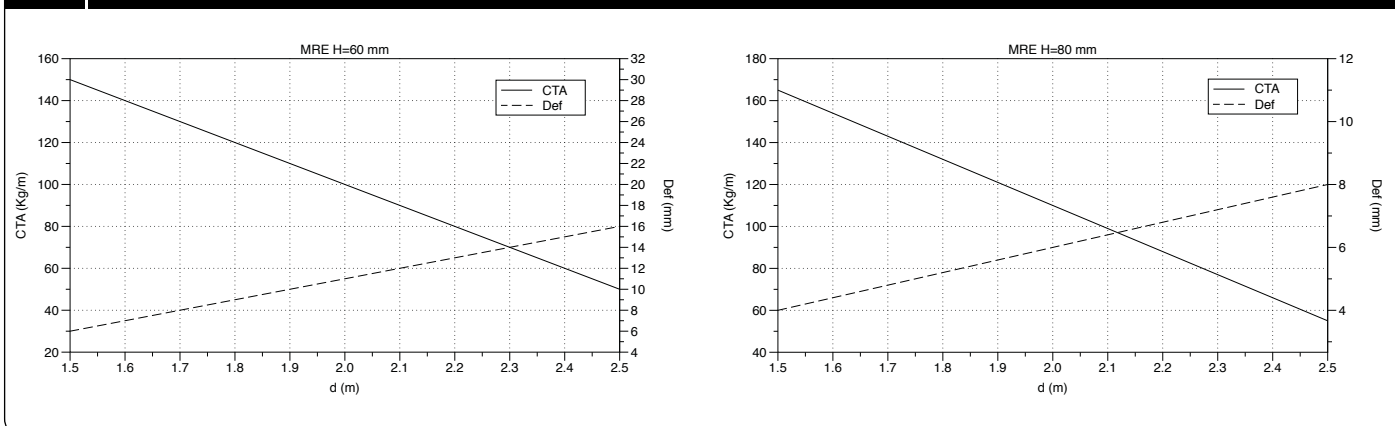


- Set up the self-assembly system 4 B1 bolt sets are needed for each cable tray and no union are needed.
- The tray installation for an electrical system should NOT run under other types of canalisations such as water, vapour or gas.
- To guarantee a good ventilation we recommend installing the trays keeping a minimum distance of 250 mm between each tray.
- Trays which are placed on supports shall have to keep a gap of 20 mm from the wall to allow for a correct ventilation of the cables.

**Accessories:**

This family has large array of accessories: Cover, divider, horizontal bend, vertical inside/outside bends, T intersection, cross intersection, reduction, AS lateral derivation, union joint, articulated union joints.

**SAFE WORKING LOAD**



This technical data sheet issued accordingly to the fulfillment of the product Standard, is itself a necessary analyses of the electric risks according to the low tension Directive 2014/35/UE of February 26th 2014, in effect from April 20th 2016

**SAFE WORKING LOAD**

